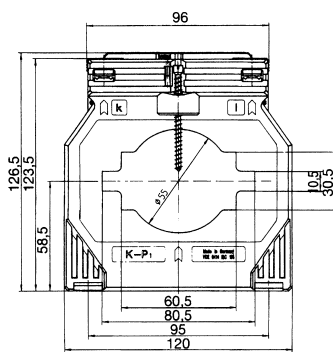
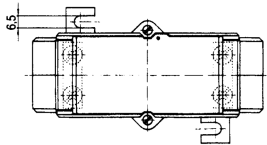
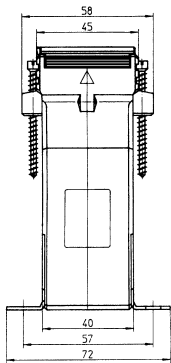
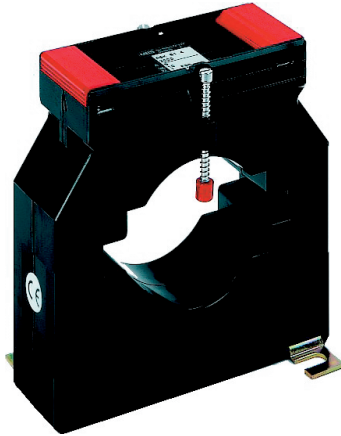


ASK 81.4

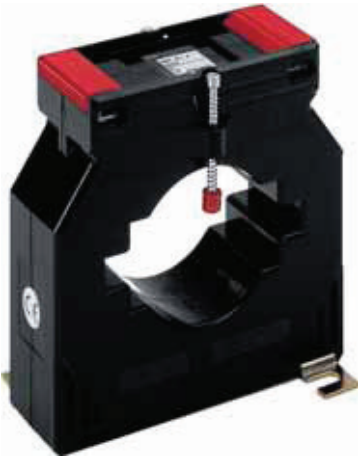
Aufsteck-Stromwandler



Primärleiter	80 x 10 mm 60 x 30 mm 2 x 60 x 10 mm
Rundleiter	Ø 55 mm
Wandlerbreite	120 mm
Schnappbefestigung	
Plombierplatte	Best.-Nr. 59042 siehe Seite 195
Verrechnungs-Stromwandler	siehe Seite 177

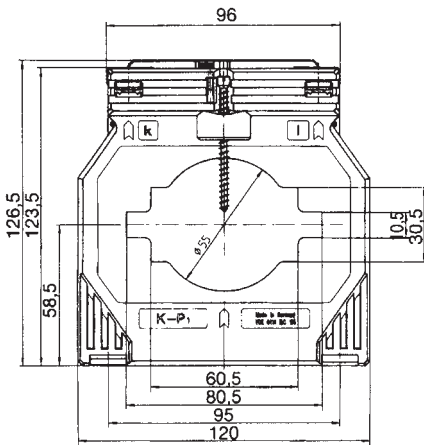
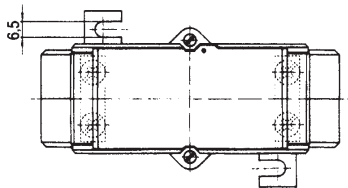
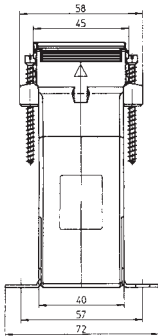
Sekundärstrom		5A			1A	
Primär-Strom A	Bem.-Leist. VA	Genauigkeitsklasse			Genauigkeitsklasse	
		1	0,5	0,2s	1	0,5
		Best.-Nr.	Best.-Nr.	Best.-Nr.	Best.-Nr.	Best.-Nr.
400	2,5	21038	21009	V47-2004D	21238	21209
	5	21039	21010	V47-2004F	21239	21210
	10		21197			
500	2,5	21040	21011	V47-2104D	21240	21211
	5	21041	21135	V47-2104F	21241	21335
	10	21042	21078		21242	21278
600	2,5	21043	21012	V47-2204D	21243	21212
	5	21044	21013	V47-2204F	21244	21213
	10	21045	21014	V47-2204H	21245	21214
750	2,5	21046	21015	V47-2304D	21246	21215
	5	21047	21016	V47-2304F	21247	21216
	10	21048	21017	V47-2304H	21248	21217
	15	21049	21079		21249	21279
800	2,5	21050	21018	V47-2404D	21250	21218
	5	21051	21019	V47-2404F	21251	21219
	10	21052	21020		21252	21220
	15	21053	21080		21253	21280
1000	2,5	21084		V47-2504D		
	5	21054	21021	V47-2504F	21254	21221
	10	21055	21022	V47-2504H	21255	21222
	15	21056	21023	V47-2504J	21256	21223
	30	21057			21257	
1200	5	21058	21024	V47-2604F	21258	21224
	10	21059	21025	V47-2604H	21259	21225
	15	21060	21026	V47-2604J	21260	21226
	30	21061			21261	
1250	5	21062	21027	V47-2704F	21262	21227
	10	21063	21028	V47-2704H	21263	21228
	15	21064	21029	V47-2704J	21264	21229
	30	21065			21265	
1500	5	21085	21030	V47-2804F		21230
	10	21066	21031	V47-2804H	21266	21231
	15	21067	21032	V47-2804J	21267	21232
	30	21068			21268	
	45	21069			21269	
1600	5	21086	21033			21233
	10	21070	21034		21270	21234
	15	21071	21035		21271	21235
	30	21072			21272	
	45	21073			21273	
2000	10	21074	21036		21274	21236
	15	21075	21037		21275	21237
	30	21076			21276	
	45	21077			21277	

umschaltbare Wandler siehe Seite 68



ASK 81.4

Plug-in current transformer



Primary conductor	80 x 10 mm 60 x 30 mm 2 x 60 x 10 mm
Round conductor	Ø 55 mm
Transformer width	120 mm
Snap-on mounting	—
Sealed shutter	Art.-no. 59042 see page 205
Current transformer for tariff applications	see page 185

Secondary current		5A			1A	
Primary current A	Burden VA	Accuracy class			Accuracy class	
		1	0.5	0.2s	1	0.5
		Art.-no.	Art.-no.	Art.-no.	Art.-no.	Art.-no.
400	2.5	21038	21009	V47-2004D	21238	21209
	5	21039	21010	V47-2004F	21239	21210
	10		21197			
500	2.5	21040	21011	V47-2104D	21240	21211
	5	21041	21135	V47-2104F	21241	21335
	10	21042	21078		21242	21278
600	2.5	21043	21012	V47-2204D	21243	21212
	5	21044	21013	V47-2204F	21244	21213
	10	21045	21014	V47-2204H	21245	21214
750	2.5	21046	21015	V47-2304D	21246	21215
	5	21047	21016	V47-2304F	21247	21216
	10	21048	21017	V47-2304H	21248	21217
	15	21049	21079		21249	21279
800	2.5	21050	21018		21250	21218
	5	21051	21019		21251	21219
	10	21052	21020		21252	21220
	15	21053	21080		21253	21280
1000	2.5	21084		V47-2504D		
	5	21054	21021	V47-2504F	21254	21221
	10	21055	21022	V47-2504H	21255	21222
	15	21056	21023	V47-2504J	21256	21223
	30	21057			21257	
1200	5	21058	21024	V47-2604F	21258	21224
	10	21059	21025	V47-2604H	21259	21225
	15	21060	21026	V47-2604J	21260	21226
	30	21061			21261	
1250	5	21062	21027	V47-2704F	21262	21227
	10	21063	21028	V47-2704H	21263	21228
	15	21064	21029	V47-2704J	21264	21229
	30	21065			21265	
1500	5	21085	21030	V47-2804F		21230
	10	21066	21031	V47-2804H	21266	21231
	15	21067	21032	V47-2804J	21267	21232
	30	21068			21268	
	45	21069			21269	
1600	5	21086	21033			21233
	10	21070	21034		21270	21234
	15	21071	21035		21271	21235
	30	21072			21272	
	45	21073			21273	
2000	10	21074	21036		21274	21236
	15	21075	21037		21275	21237
	30	21076			21276	
	45	21077			21277	

Change-over transformers see page 76.