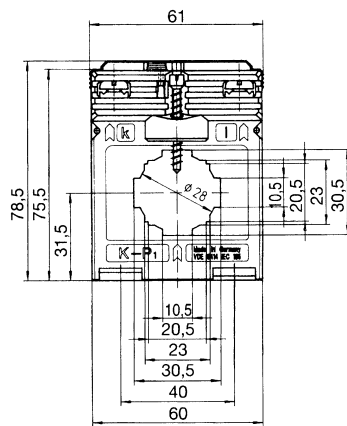
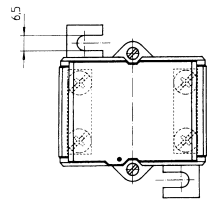
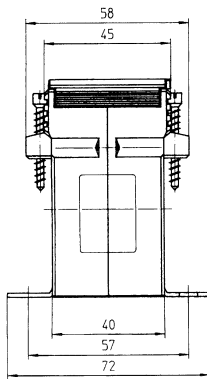
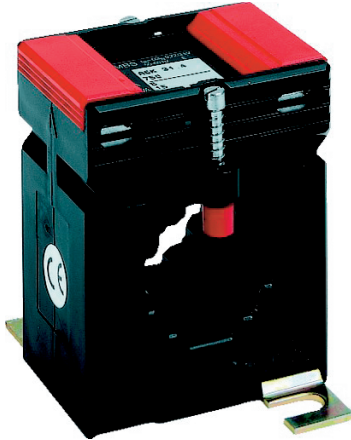


ASK 31.4

Aufsteck-Stromwandler



| | |
|---------------------------|---|
| Primärleiter | 30 x 10 mm 2 x 20 x 10 mm |
| Rundleiter | Ø 28 mm |
| Wandlerbreite | 61 mm |
| Schnappbefestigung | Best.-Nr. 54011 siehe Seite 194 |
| Plombierplatte | Best.-Nr. 59041 siehe Seite 195 |
| Verrechnungs-Stromwandler | siehe Seite 163 |

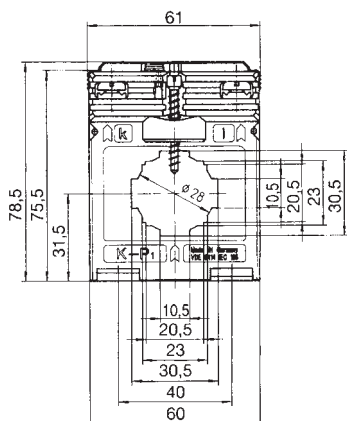
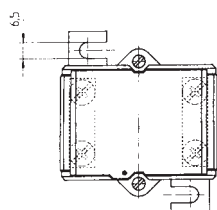
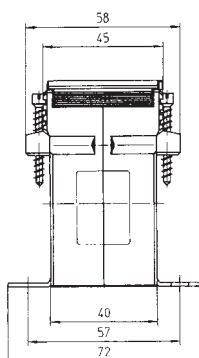
| Sekundärstrom | | 5A | | | 1A | |
|-------------------|-------------------|--------------------|-----------|------------|--------------------|-----------|
| Primär-Strom A | Bem.-Leist. VA | Genauigkeitsklasse | | | Genauigkeitsklasse | |
| | | 1 | 0,5 | 0,2s | 1 | 0,5 |
| | | Best.-Nr. | Best.-Nr. | Best.-Nr. | Best.-Nr. | Best.-Nr. |
| 50 | 1,25 | 8157 | | | 8357 | |
| | 1,5 | 8038 | | | 8238 | |
| 60 | 1,25 | 8158 | | | 8358 | |
| | 1,5 | 8039 | | | 8239 | |
| 75 | 1,5 | 8041 | | | 8241 | |
| | 2,5 | 8042 | | | 8242 | |
| 80 | 1,5 | 8043 | | | 8243 | |
| | 2,5 | 8044 | | | 8244 | |
| 100 | 1,5 | 8045 | 8011 | | 8245 | 8211 |
| | 2,5 | 8046 | 8010 | | 8246 | 8210 |
| | 3,75 | 8152 | | | 8276 | |
| | 5 | 8047 | | | 8247 | |
| 150 | 1,5 | 8048 | 8012 | V 14-1604C | 8248 | 8212 |
| | 2,5 | 8049 | 8013 | V 14-1604D | 8249 | 8213 |
| | 5 | 8050 | 8410 | | 8250 | |
| | 7,5 | 8051 | | | 8251 | |
| 200 | 2,5 | 8052 | 8014 | V 14-1704D | 8252 | 8214 |
| | 5 | 8053 | 8015 | V 14-1704F | 8253 | 8215 |
| | 10 | 8054 | | | 8254 | |
| 250 | 2,5 | 8055 | 8016 | V 14-1804D | 8255 | 8216 |
| | 5 | 8056 | 8017 | V 14-1804F | 8256 | 8217 |
| | 10 | 8057 | | | 8257 | |
| | 15 | 8058 | | | 8258 | |
| 300 | 2,5 | 8059 | 8018 | V 14-1904D | 8259 | 8218 |
| | 5 | 8060 | 8019 | V 14-1904F | 8260 | 8219 |
| | 10 | 8061 | 8020 | | 8261 | 8220 |
| | 15 | 8062 | | | 8262 | |
| 400 | 2,5 | 8063 | 8021 | V 14-2004D | 8263 | 8221 |
| | 5 | 8064 | 8022 | V 14-2004F | 8264 | 8222 |
| | 10 | 8065 | 8023 | | 8265 | 8223 |
| | 15 | 8066 | | | 8266 | 8224 |
| 500 | 2,5 | 8067 | 8025 | V 14-2104D | 8267 | 8225 |
| | 5 | 8068 | 8026 | V 14-2104F | 8268 | 8226 |
| | 10 | 8069 | 8027 | | 8269 | 8227 |
| | 15 | 8070 | | | 8270 | 8228 |
| 600 | 2,5 | 8071 | 8029 | V 14-2204D | 8271 | 8229 |
| | 5 | 8072 | 8030 | V 14-2204F | 8272 | 8230 |
| | 10 | 8073 | 8031 | V 14-2204H | 8273 | 8231 |
| | 15 | 8074 | 8032 | | 8274 | 8232 |
| 750 | 2,5 | 8153 | 8033 | V 14-2304D | 8353 | 8233 |
| | 5 | 8154 | 8034 | V 14-2304F | 8354 | 8234 |
| | 10 | 8155 | 8035 | V 14-2304H | 8355 | 8235 |
| | 15 | 8156 | 8036 | | 8356 | 8236 |

umschaltbare Wandler siehe Seite 42



ASK 31.4

Plug-in current transformer



| | |
|---|---------------------------------------|
| Primary conductor | 30 x 10 mm 2 x 20 x 10 mm |
| Round conductor | Ø 28 mm |
| Transformer width | 61 mm |
| Snap-on mounting | Art.-no. 54011 see page 204 |
| Sealed shutter | Art.-no. 59041 see page 205 |
| Current transformer for tariff applications | see page 170 |

| Secondary current | | 5A | | | 1A | |
|----------------------|--------------|----------------|----------|-----------|----------------|----------|
| Primary current A | Burden VA | Accuracy class | | | Accuracy class | |
| | | 1 | 0.5 | 0.2s | 1 | 0.5 |
| | | Art.-no. | Art.-no. | Art.-no. | Art.-no. | Art.-no. |
| 50 | 1.25 | 8157 | | | 8357 | |
| | 1.5 | 8038 | | | 8238 | |
| 60 | 1.25 | 8158 | | | 8358 | |
| | 1.5 | 8039 | | | 8239 | |
| 75 | 1.5 | 8041 | | | 8241 | |
| | 2.5 | 8042 | | | 8242 | |
| 80 | 1.5 | 8043 | | | 8243 | |
| | 2.5 | 8044 | | | 8244 | |
| 100 | 1.5 | 8045 | 8011 | | 8245 | 8211 |
| | 2.5 | 8046 | 8010 | | 8246 | 8210 |
| | 3.75 | 8152 | | | 8276 | |
| | 5 | 8047 | | | 8247 | |
| 150 | 1.5 | 8048 | 8012 | V14-1604C | 8248 | 8212 |
| | 2.5 | 8049 | 8013 | V14-1604D | 8249 | 8213 |
| | 5 | 8050 | 8410 | | 8250 | |
| | 7.5 | 8051 | | | 8251 | |
| 200 | 2.5 | 8052 | 8014 | V14-1704D | 8252 | 8214 |
| | 5 | 8053 | 8015 | V14-1704F | 8253 | 8215 |
| | 10 | 8054 | | | 8254 | |
| 250 | 2.5 | 8055 | 8016 | V14-1804D | 8255 | 8216 |
| | 5 | 8056 | 8017 | V14-1804F | 8256 | 8217 |
| | 10 | 8057 | | | 8257 | |
| | 15 | 8058 | | | 8258 | |
| 300 | 2.5 | 8059 | 8018 | V14-1904D | 8259 | 8218 |
| | 5 | 8060 | 8019 | V14-1904F | 8260 | 8219 |
| | 10 | 8061 | 8020 | | 8261 | 8220 |
| | 15 | 8062 | | | 8262 | |
| 400 | 2.5 | 8063 | 8021 | V14-2004D | 8263 | 8221 |
| | 5 | 8064 | 8022 | V14-2004F | 8264 | 8222 |
| | 10 | 8065 | 8023 | | 8265 | 8223 |
| | 15 | 8066 | | | 8266 | 8224 |
| 500 | 2.5 | 8067 | 8025 | V14-2104D | 8267 | 8225 |
| | 5 | 8068 | 8026 | V14-2104F | 8268 | 8226 |
| | 10 | 8069 | 8027 | | 8269 | 8227 |
| | 15 | 8070 | | | 8270 | 8228 |
| 600 | 2.5 | 8071 | 8029 | V14-2204D | 8271 | 8229 |
| | 5 | 8072 | 8030 | V14-2204F | 8272 | 8230 |
| | 10 | 8073 | 8031 | V14-2204H | 8273 | 8231 |
| | 15 | 8074 | 8032 | | 8274 | 8232 |
| 750 | 2.5 | 8153 | 8033 | V14-2304D | 8353 | 8233 |
| | 5 | 8154 | 8034 | V14-2304F | 8354 | 8234 |
| | 10 | 8155 | 8035 | V14-2304H | 8355 | 8235 |
| | 15 | 8156 | 8036 | | 8356 | 8236 |

Change-over transformers see page 48.